

Refrigeration

by Midway Specialty Vehicles



Maintenance free interior

- Fuel Economy - 20 MPG
- Ease of Handling/Maneuverability
- Convenient Access from Side/Rear
- Full Stand up Headroom



Rear View with optional curtain



Side View with optional curtain



2940 Dexter Drive Elkhart, IN 46514
(800) 505 2530 - www.mymidway.com

Refrigeration Highlights

Standard Features & Equipment

FRP Walls, Ceiling, And Door Panels
 Aluminum Diamond Plate On Floor With Drain Holes
 Aluminum Diamond Plate On Wheel Wells
 Aluminum Diamond Plate On Bottom Of The Sidewalls
 Aluminum Diamond Plate On Door Sills
 (4) Interior Dome Lights With On/Off Switch
 Foam Insulation In Floor, Sidewalls, Ceiling,
 Side Door, And Rear Doors
 Plywood Floor Under The Aluminum Diamond Plate
 (2) Drains In Floor
 (1) Drain In Sliding Door Step Well
 Steel Supports in Ceiling for Thermo King Equipment

Dimensions

A. 170 Extended = 176 1/4", 170 Standard = 159 1/4", 144 = 118 1/4"
 B. 35 1/4" Dual Wheel
 C. 49 3/4" Single Wheel
 D. 63"
 E. 50"
 F. 52 1/4"
 G. 63"
 H. 69" I. 31" J. 115 1/2"

Optional Equipment

Plastic Refrigeration Curtains on Both Doors
 Upgrade Thermo King System with Heater Kit
 Auxiliary Battery Mounted Under Hood
 Back Up Alarm
 Backup Video Monitor System
 (1) Row of E-Track on Each Wall In Rear

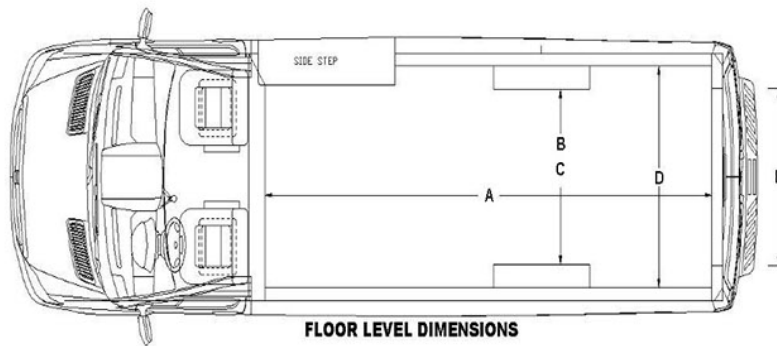
Thermo King v-300 Max 20 Refrigeration Units
 In Cab DIN Adaptor

404A Freon
 Dual Mount Drive Kit
 Slim Line Evaporator

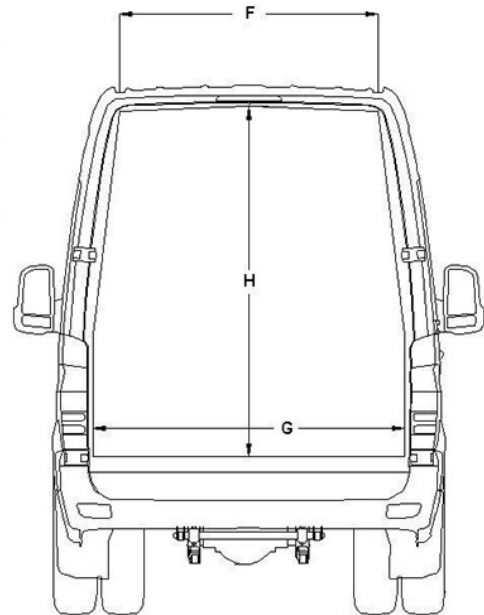
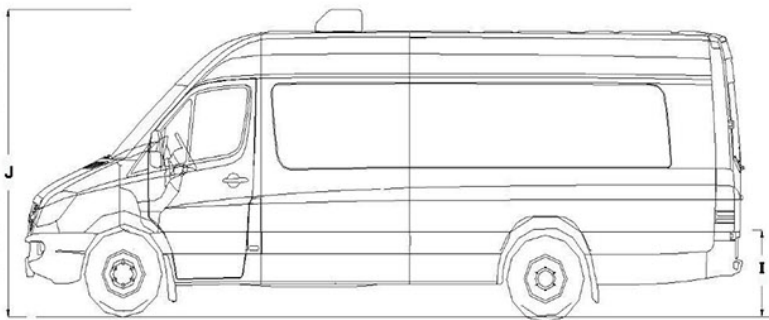
Thermo King Electric Standby V-300 Max 20

Electric Standby Options:
 1. 115 Volt
 2. 230 Volt - Single Phase
 3. 230 Volt - 3 Phase

Choice of



FLOOR LEVEL DIMENSIONS



Midway Specialty Vehicles reserves the right to make improvements, change specifications, features, and options without notice or obligation.

2940 Dexter Drive • Elkhart, IN 46514
 P.O. Box 1931 • Elkhart, IN 46515-1931
 Ph (800) 505-2530 • Fx (574) 264-5630
www.mymidway.com